



# Product Data Sheet

Bulgin PX0686 C14 IEC Connector

## Description



The Bulgin PX0686 (straight male connector) is a cable-mounting IEC power connector ideal for industrial applications, power management, and portable devices. Features include a black, straight male connector with rewireable screw terminals, nickel-plated brass contacts, and contact resistance of 10mΩ.

Offering solutions to most mains-powered equipment and cable applications, the operating temperature ranges from -40°C to 70°C, and the AC breakdown voltage is 5KV (pole to pole) and 5KV (poles to panel). The electrical rating is up to 10A, 250V AC, and material flammability conforms to UL94 V-0.

Conforms to EN60320-2-2 standard sheet E Class I and carries UL, CSA, VDE approvals. Mates with PX0675, PX0695, PX0578, PX0783, PX0793, PX0793/1, PX0716, PX0717, PX0718 series Bulgin connectors.

Product	SKU
BULGIN PX0686 C14 IEC CONNECTOR	HA-00-005

## Key Benefits

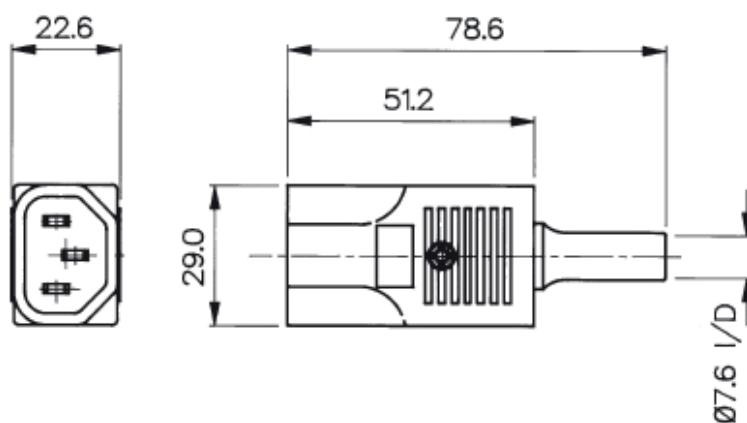
- Cable Mounting
- Rewireable
- Screw Terminals
- 10A, 250V AC



# Product Data Sheet

Bulgin PX0686 C14 IEC Connector

## Technical Specification



### Bulgin PX0686 C14 IEC Connector Specification

<b>Terminations:</b>	Screw Terminals
<b>Colours:</b>	No suffix (Black), /WH (White), /GY (Grey)
<b>Max. Rating:</b>	10A, 250V AC
<b>Contact Resistance:</b>	<10mΩ
<b>Insulation Resistance:</b>	>10 <sup>4</sup> MΩ
<b>A.C. Breakdown:</b>	Contact-Contact 5kV. (Contacts-Accessible) Parts 5kV
<b>Operating Temp:</b>	-40°C to +70°C
<b>Withdrawal Force:</b>	10N (Min.) 50N (Max.)
<b>Mouldings:</b>	Nylon, Flammability Rating UL94V-0
<b>Contacts:</b>	Brass, Nickel Plated
<b>RoHS:</b>	Compliant
<b>Accessories / Notes:</b>	VDE and ENEC approval for black and white versions only
<b>Mating Inlets:</b>	PX0675, PX0695, PX0578, PX0783, PX0793, PX0793/1, PX0716