



# Product Data Sheet

BarnMini 02 2 X SFP Port for Transceiver (TX/RX) incl. PSU

## Description



The BarnMini series are made of robust materials in an elegant design. BarnMini-02 can be used for fiber conversion between multimode and single mode, Ethernet to fiber, CWDM fiber color conversion or any other combination of signals depending on the SFP selections.

**BarnMini-02 is a “Norwegian army knife” – application can be changed on the fly by replacing the SFPs.**

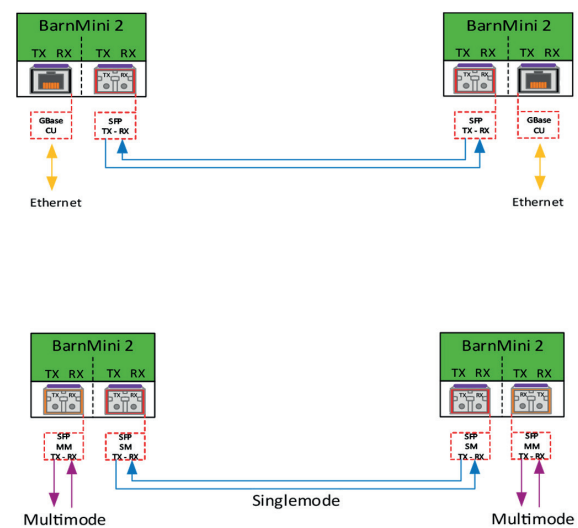
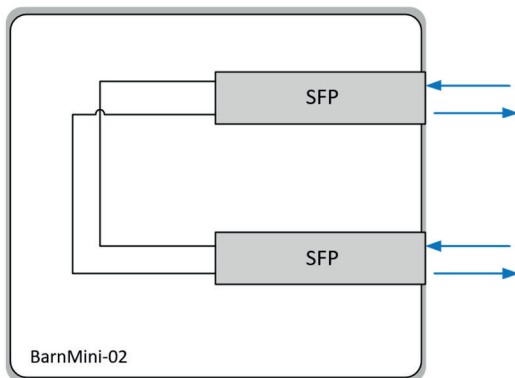
Product	SKU
BARNMINI 02 2 X SFP PORT FOR TRANSCEIVER (TX/RX) INCL. PSU	RE-05-0002



# Product Data Sheet

BarnMini 02 2 X SFP Port for Transceiver (TX/RX) incl. PSU

## Technical Specification



### BarnMini 02 Specification

<b>Electrical ports:</b>	SMPTE 259M, 292M, 372M, 424M, 297M, DVB-ASI
2x SFP ports (small formfactor pluggable) for transceivers, MSA compliant, up to 3Gbps	SFP modules are hot pluggable/swappable
SMPTE 259M, 292M, 372M, 424M, 297M, DVB-ASI	Multirate reclocking of outputs 270Mbps – 3Gbps
Multirate reclocking of outputs 270Mbps – 3Gbps	Single-mode, multi-mode or media-converter SFP modules
SFP modules are hot pluggable/swappable	<b>Power supply:</b>
Single-mode, multi-mode or media-converter SFP modules	12-24V DC, power supply included
<b>SFP port:</b>	<b>Physical size:</b>
1x SFP port (small formfactor pluggable) for transceivers, MSA compliant, up to 3Gbps	92mm x 98mm x 22mm, 200g