



# Product Data Sheet

## BarnMini 08-1:2 Optical Splitter 1:2 OUT

### Description



The BarnMini series are made of robust materials in an elegant design. BarnMini-08-1:2 and BarnMini-08-1:4 are devices that split the optical signal into 2 or 4 identical copies.

Typical use cases are distribution or signal duplication for redundancy; usually combined with CWDM optical multiplexers for maximum utilisation of the fibers.

**All BarnMini modules can be used as a standalone box or in a more sophisticated system with BarnOne or BarnColor.**

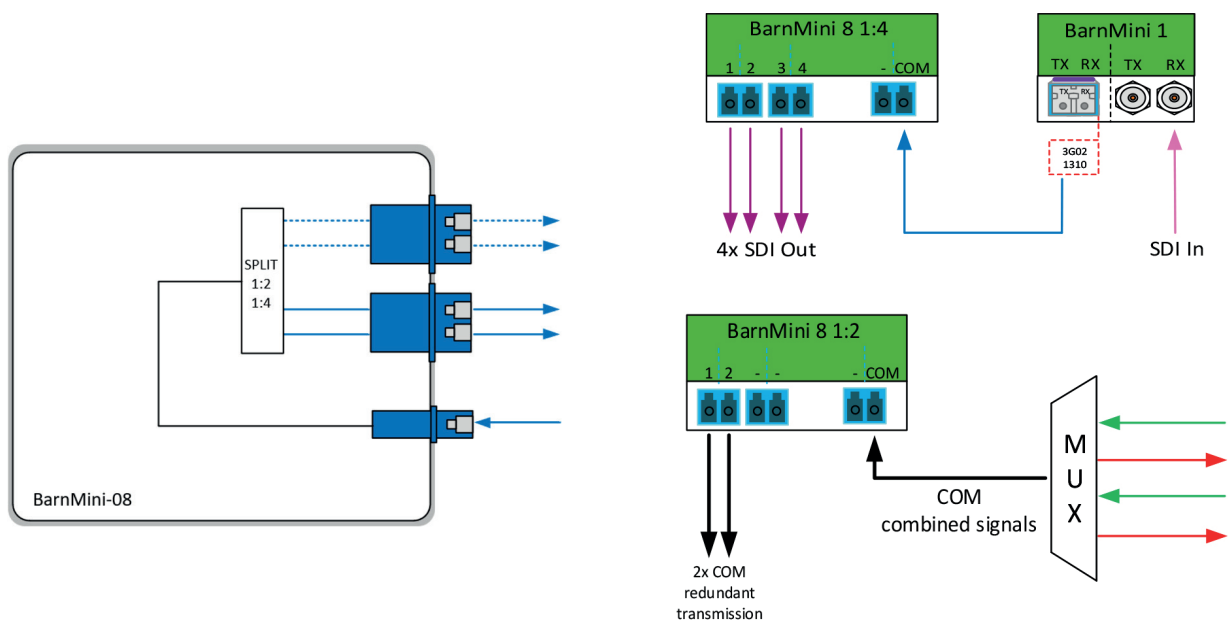
Product	SKU
BARNMINI 08-1:2 OPTICAL SPLITTER 1:2 OUT	RE-05-0007



# Product Data Sheet

## BarnMini 08-1:2 Optical Splitter 1:2 OUT

### Technical Specification



#### BarnMini 08 1:2 Specification

<b>Optical ports:</b>	Polarisation dependant loss: <0,10dB
LC/PC connectors	Polarisation Mode Dispersion: <0,2ps
Insertion Loss: <1,2dB + 3dB	<b>Physical size:</b>
Adjacent Channel Isolation: >35dB	92mm x 98mm x 22mm
Non-Adjacent Channel Isolation: >45dB	200g