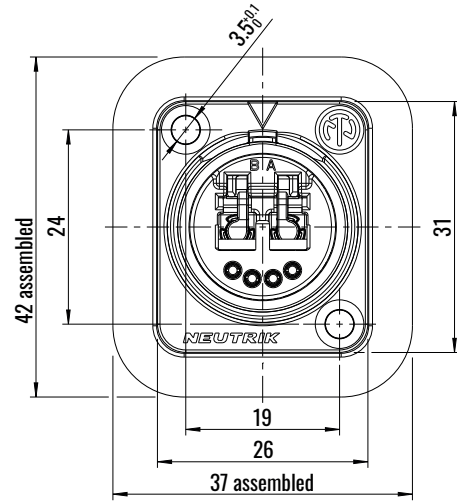
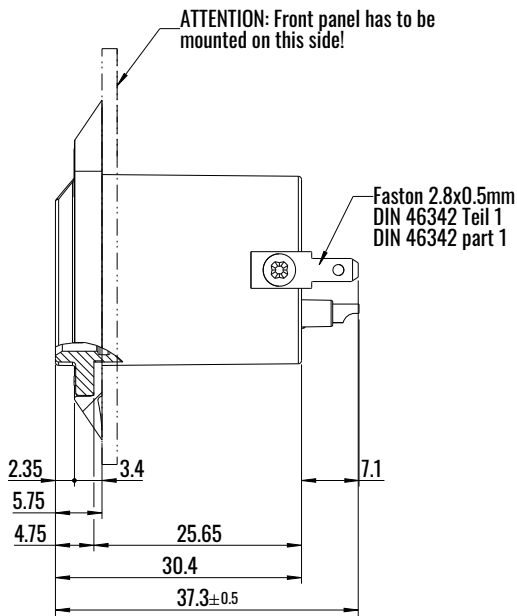




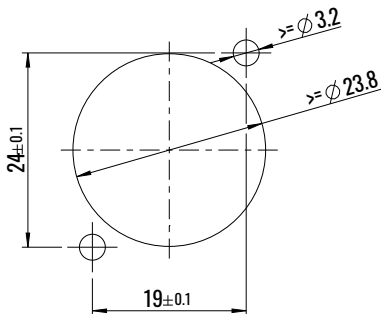
# Product Drawing

Neutrik N02-4FDW-1-A opticalCON Duo Panel Connectors (Earth Tag)

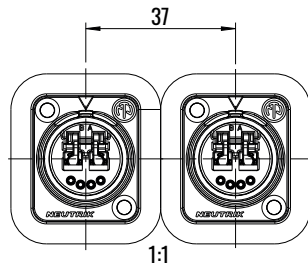
## Technical Drawing



Panel cutout (rear side)



min. assembling distance



Soldering contacts rear side

