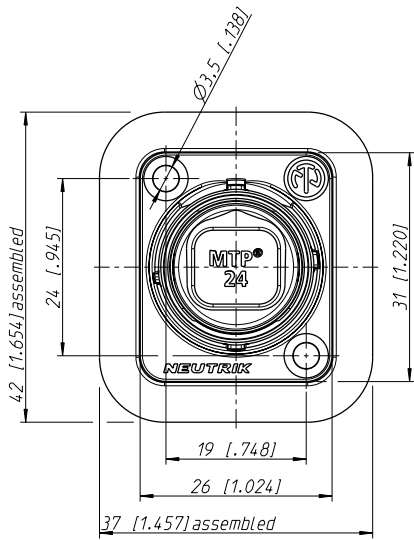




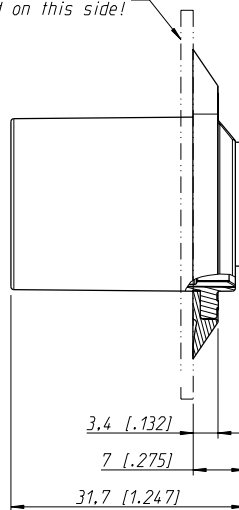
Product Drawing

Neutrik NO24FDW-A opticalCON Chassis Connector

Technical Drawing

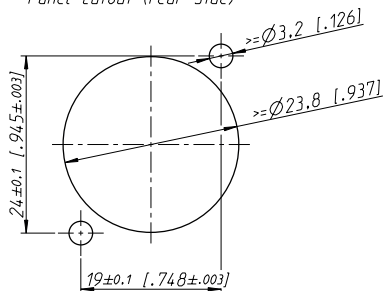


ATTENTION: Front panel has to be mounted on this side!



Patch cable configuration (rear side)
 - Ferrule MTP STANDARD or ELITE
 - MALE guide pins ELITE
 - Spring force 20N!
 - Only use original US CONEC parts!

Panel cutout (rear side)



min. assembling distance

