



Assembly Instruction

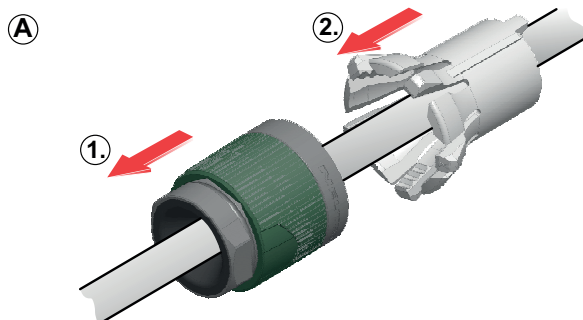
Neutrik NL4FXX-W-S

A IMPORTANT SAFETY INFORMATION

- ! **ATTENTION:** speakON® IS NOT TO BE USED AS AN AC/DC MAINS OR POWER SUPPLY CONNECTOR!
- CAUTION:** CONNECTOR NOT TO BE ENGAGED AND DISENGAGED IN NORMAL USED WHEN LIVE OR UNDER LOAD.
- ATTENTION:** NE PAS UTILISER POUR COUPER LE COURANT
- TO BE INSTALLED BY QUALIFIED PERSON ONLY.**

Approval based:	EN/IEC EN 61984 IEC 61984	✓	UL / CSA UL 1977 CAN/CSA C22.2 No.182.3	✓
Rating:	250 V ac / 30 A		250 V ac / 30 A	
Wire size:	1.0 - 4.0 mm ²		16 - 11 AWG	
Cable O.D.:	*-S: 6.0 - 12.0 mm (0.24 - 0.47")		6.0 - 12.0 mm (0.24 - 0.47")	
	*-L: 10.0 - 16.0 mm (0.39 - 0.63")		10.0 - 16.0 mm (0.39 - 0.63")	

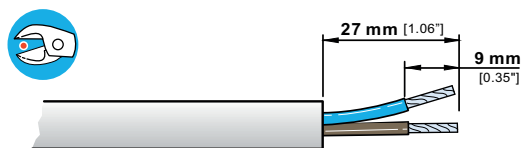
B ASSEMBLY INFORMATION



A Place the bushing (1) and chuck (2) over the cable.

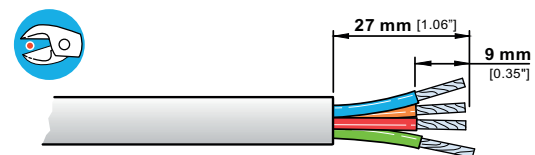
Important: Chuck and Bushing cannot be placed over the cable after the assembly or the insert.

B CABLE PREPARATION: 2 POLE

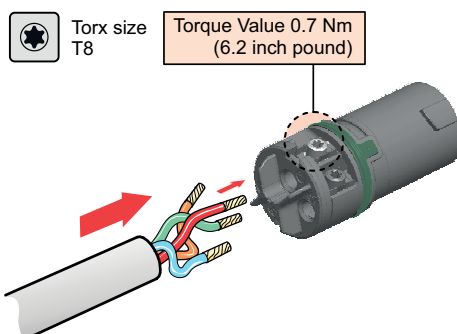


B Prepare the cable as shown.

C CABLE PREPARATION: 4 POLE

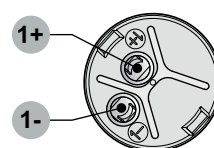


C

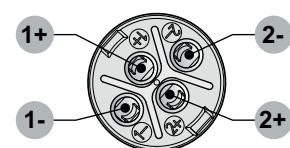


C Slide the cable into the contacts and clamp

WIRING: 2 POLE



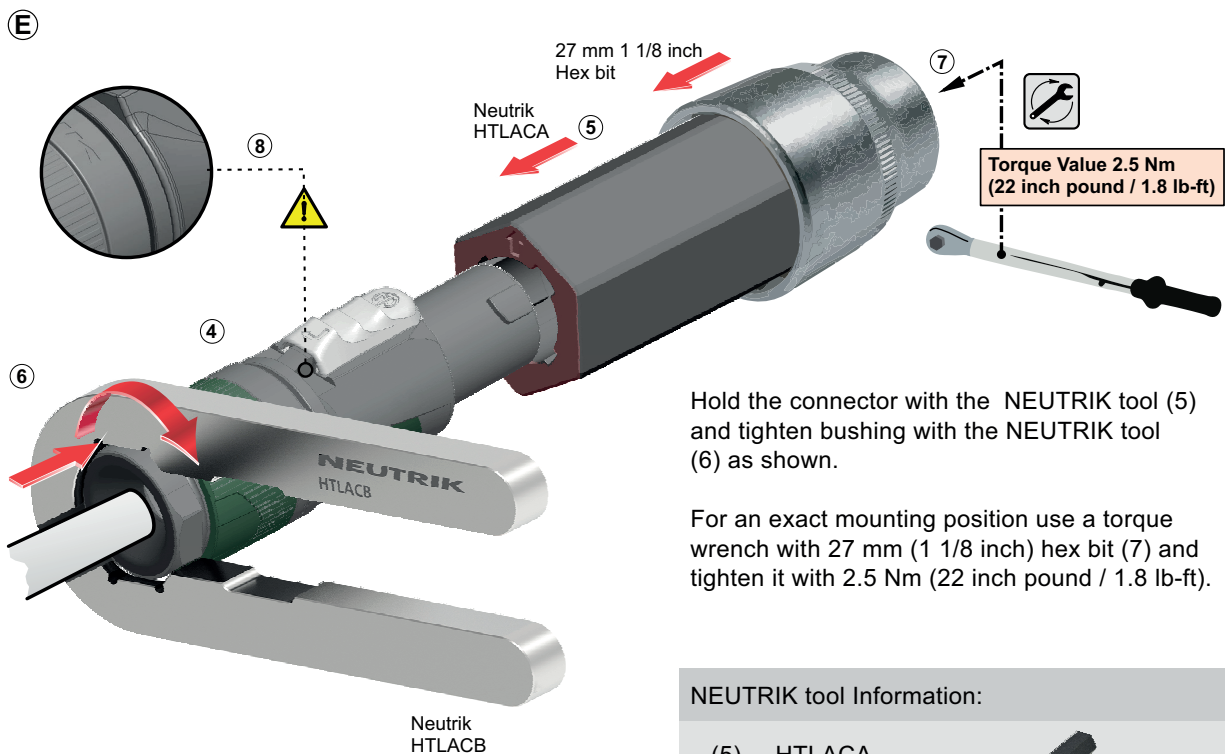
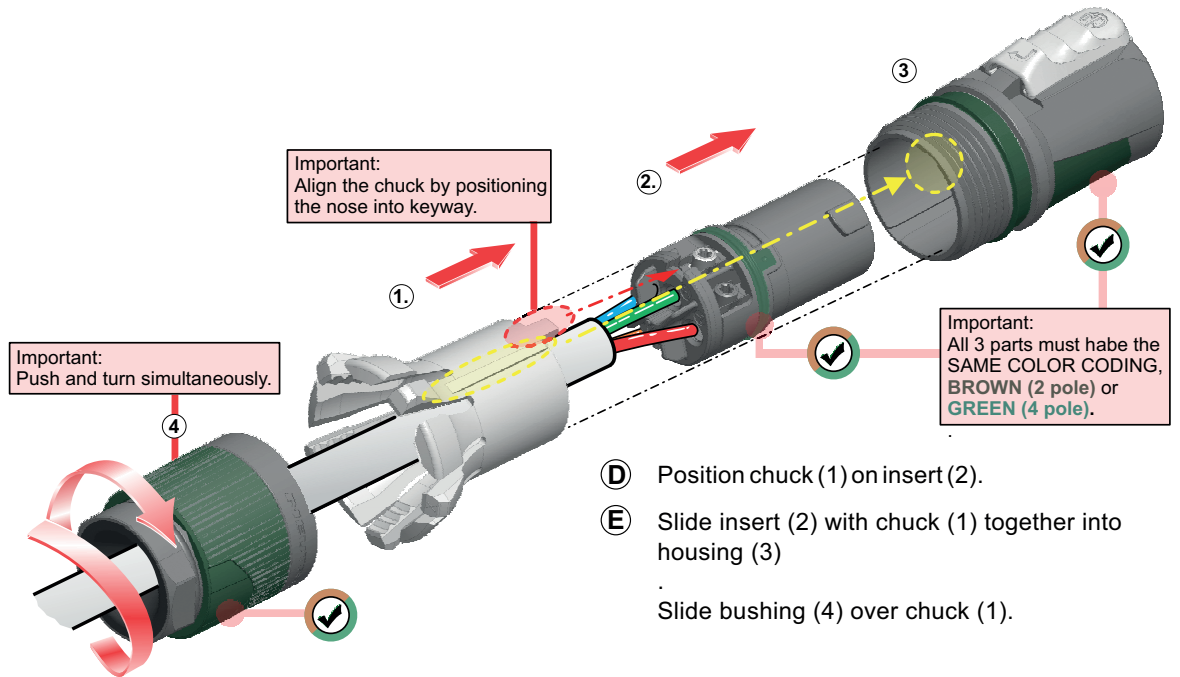
WIRING: 4 POLE





Assembly Instruction

Neutrik NL4FXX-W-S



NEUTRIK tool Information:

(5) HTLACA



(6) HTLACB

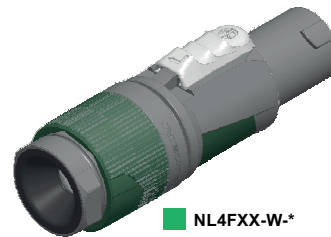
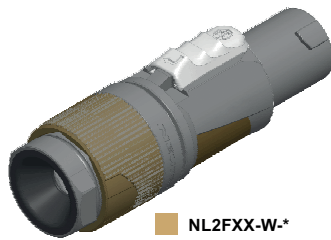




Assembly Instruction

Neutrik NL4FXX-W-S

C FINISHED CONNECTOR



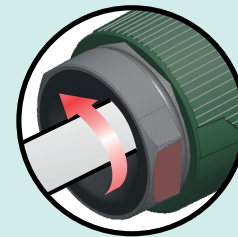
D DISASSEMBLY INFORMATION

FOR DISASSEMBLY!

1. Use the Neutrik tool HTLACB.
2. Position the tool on the surfaces and open the clamping sleeve.



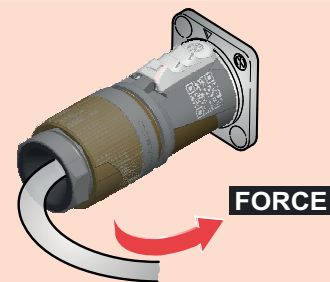
HTLACB



E SAFETY INFORMATION

CAUTION

To ensure protection category, do not expose the connection to bending forces (e.g. do not attach loads to the cable, no free-dangling cable windings etc.).



SAFETY WARNING

For safety and certification reasons the connector must be replaced in case of any broken parts or excessive wear and tear.



F More Information on the www.neutrik.com

<https://www.neutrik.com/products/audio/speakon>

