



Assembly Instruction

Neutrik NAC3FXXA-W-S powerCON

A APPLICATION & SAFETY INSTRUCTION

APPLICATION:

- The powerCON system is certified as a connector with breaking capacity according IEC/EN/UL/CSA-C22.2 No. 60320-1.
- It is intended for use as an appliance coupler and interconnection coupler.
- It serves to supply power to an appliance and from an appliance to other equipment.
- To be installed by qualified person only.

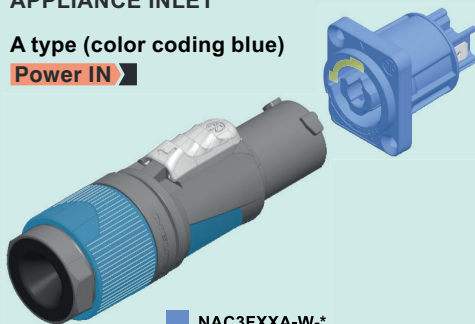
Connector Combination & Keyways:

With the two non-interchangeable types of connectors (A type and B type) it is impossible to produce a short circuit. Mating connectors (combination) are identified by mechanical keyways and by color.

APPLIANCE INLET

A type (color coding blue)

Power IN

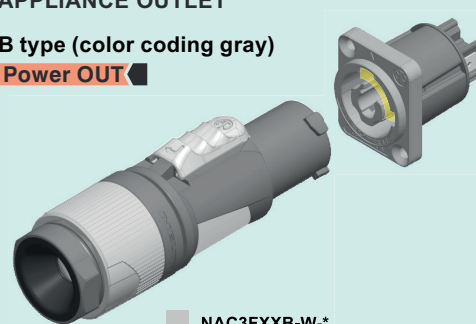


NAC3FXXA-W*

APPLIANCE OUTLET

B type (color coding gray)

Power OUT



NAC3FXXB-W*

Approval based:

IEC/EN 60320-1



UL 60320-1

CAN/CSA-C22.2 No. 60320-1



Rating:

250 V ac / 16 A

127 V ac / 20 A

Wire size:

1.5 - 2.5 mm²

16 - 12 AWG

Cable O.D.:

*-S:

6.0 - 12.0 mm (0.24 - 0.47")

6.0 - 12.0 mm (0.24 - 0.47")

*-L:

10.0 - 16.0 mm (0.39 - 0.63")

10.0 - 16.0 mm (0.39 - 0.63")

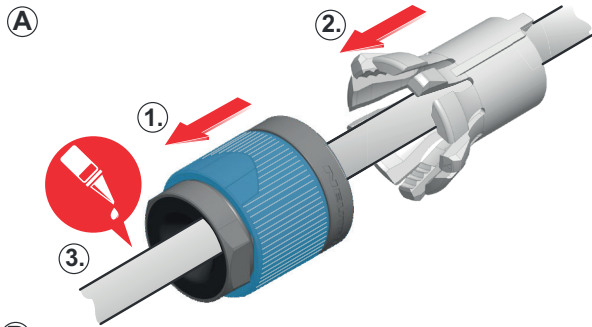
CABLE LIST

Cable: IEC/EN 60320-1	3 x 1.5 mm ²	3 x 2.5 mm ²			
■ H07RN-F	-S	-L			
■ H05RN-F	-S	-			
■ H05VV-F	-S	-S			
Cable: UL 60320-1, CAN/CSA-C22.2 No. 60320-1	16/3 AWG	14/3 AWG	12/3 AWG		
■ SOOW	-S	-L	-L		
■ SJOOW	-S	-S	-L		
■ SJTOOW	-S	-S	-S		



Assembly Instruction

Neutrik NAC3FXXA-W-S powerCON



Place the bushing (1) and chuck (2) over the cable.

Important: Chuck and Bushing cannot be placed over the cable after the assembly of the insert.

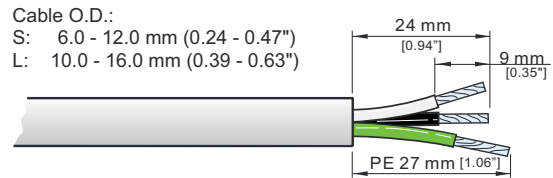
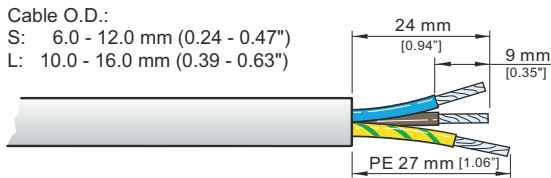
(3) For easier assembly please use a cable lubricant.

B

Prepare cable as shown.

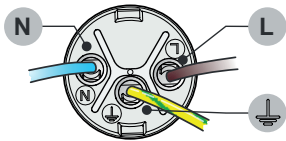
■ IEC/EN 60320-1

■ UL60320-1
CAN/CSA-C22.2 No. 60320-1

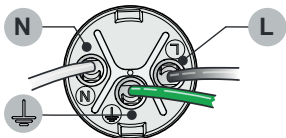


C

IEC/EN 60230-1



UL60320-1
CAN/CSA-C22.2 No. 60320-1



Torx size T8

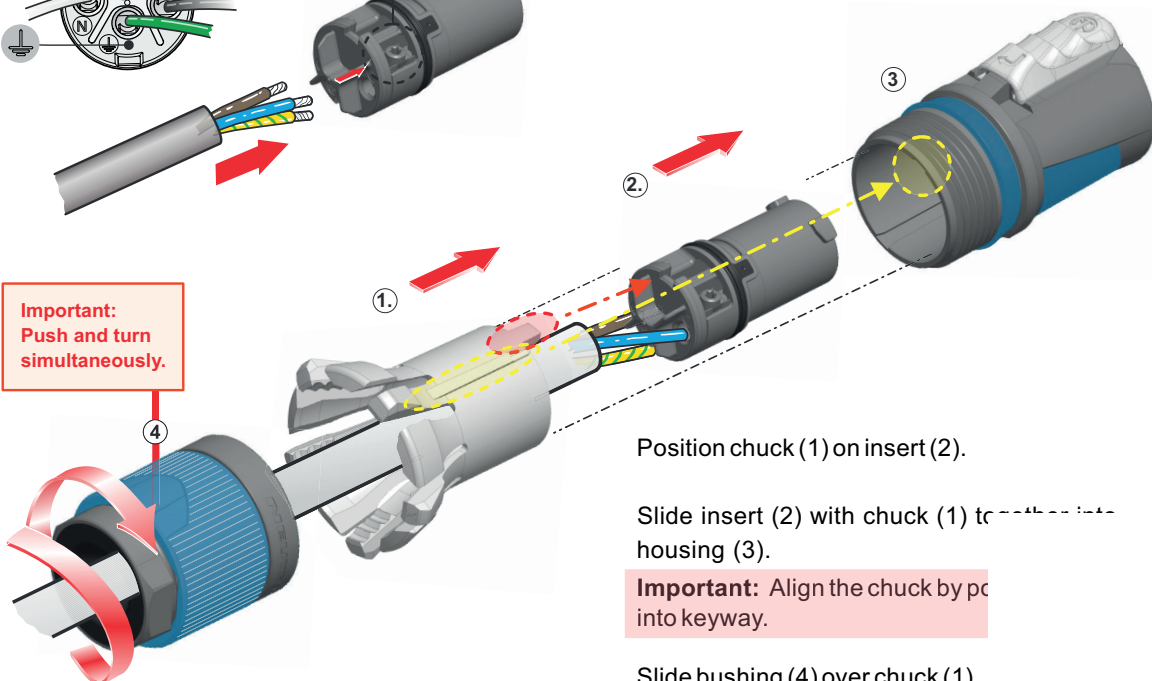
Torque Value 0.7 Nm
(6.2 inch pound / 0.52 lb.ft)

Slide the cable into the contacts and clamp with the screw with Torx size T8.

Typical Wiring	IEC/EN 60230-1	UL60320-1 CAN/CSA-C22.2 No. 60320-1
L • •	brown	black
N • •	blue	white
⊥ • •	green/yellow	green

D

Important:
Push and turn simultaneously.



Position chuck (1) on insert (2).

Slide insert (2) with chuck (1) together into housing (3).

Important: Align the chuck by pin into keyway.

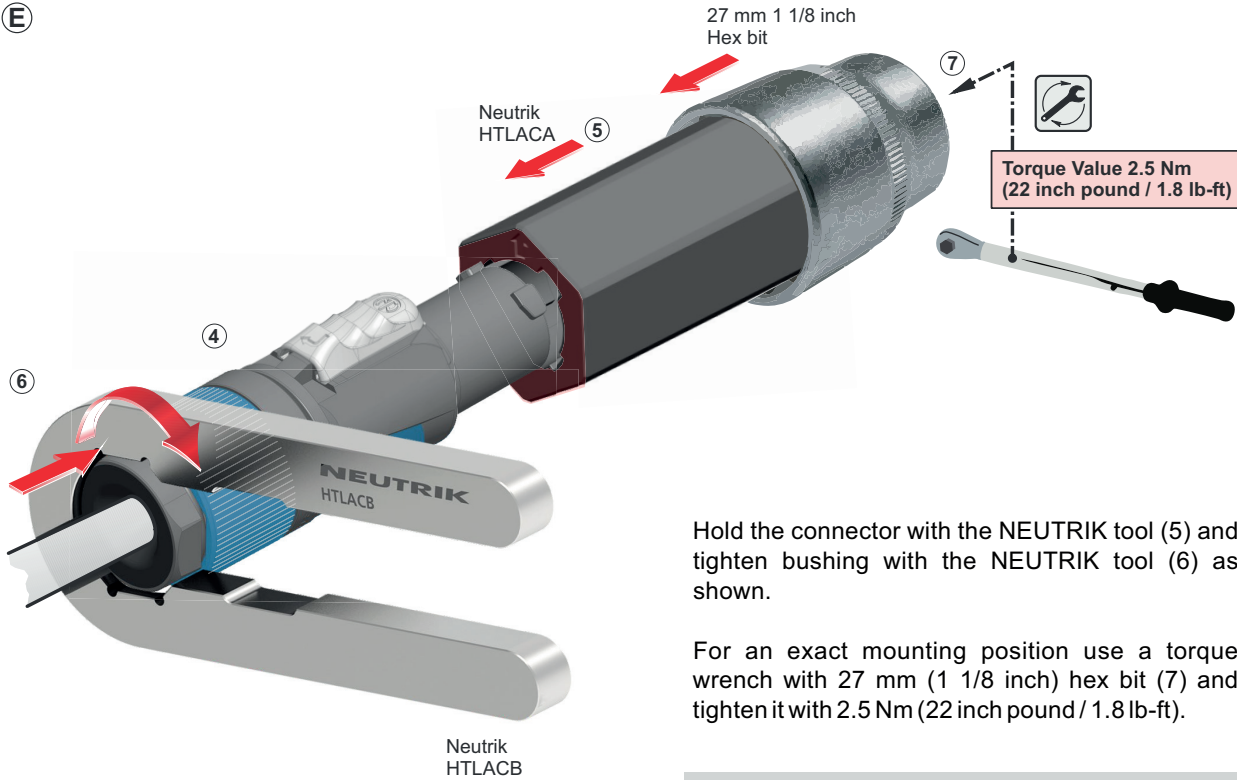
Slide bushing (4) over chuck (1).



Assembly Instruction

Neutrik NAC3FXXA-W-S powerCON 16A Power-In Cable Connector

Ⓔ



Hold the connector with the NEUTRIK tool (5) and tighten bushing with the NEUTRIK tool (6) as shown.

For an exact mounting position use a torque wrench with 27 mm (1 1/8 inch) hex bit (7) and tighten it with 2.5 Nm (22 inch pound / 1.8 lb-ft).

NEUTRIK tool Information:

(5) HTLACA



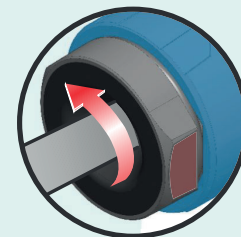
(6) HTLACB



C DISASSEMBLY INFORMATION

FOR DISASSEMBLY!

1. Use the Neutrik tool HTLACB.
2. Position the tool on the surfaces and open the clamping sleeve.



HTLACB

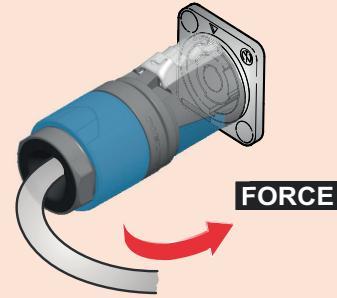


Assembly Instruction

Neutrik NAC3FXXA-W-S powerCON 16A Power-In Cable Connector

■ CAUTION

To ensure protection category, do not expose the connection to bending forces (e.g. do not attach loads to the cable, no free-dangling cable windings etc.).



■ SAFETYWARNING

For safety and certification reasons the connector must be replaced in case of any broken parts or excessive wear and tear.

