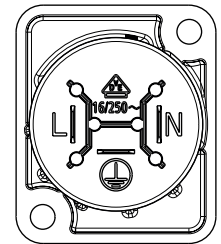
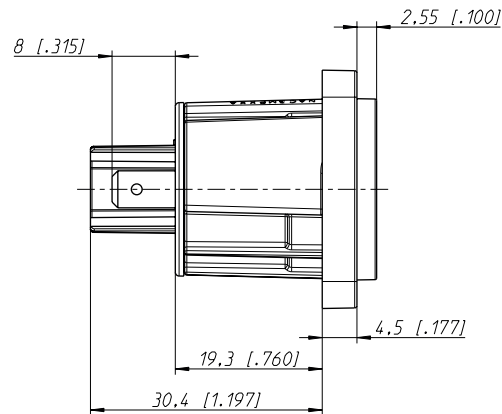
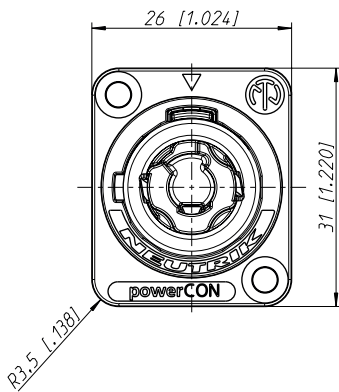




# Product Drawing

Neutrik NAC3MPXXA powerCON 16A  
Power-In Chassis Mount Connector

## Technical Drawing



Frontplattenausschnitt Rückseite  
panel cutout rear side

