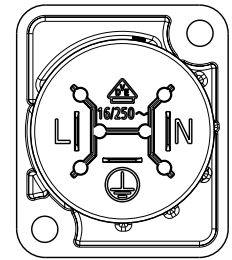
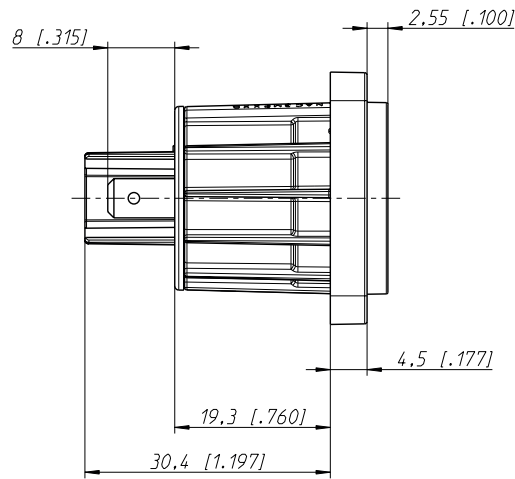
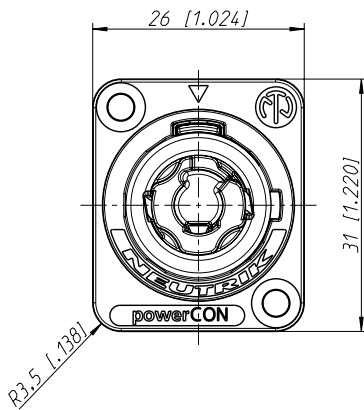




Product Drawing

Neutrik NAC3MPXXB powerCON 16A
Power-Out Chassis Mount Connector

Technical Drawing



Frontplattenausschnitt Rückseite
panel cutout rear side

