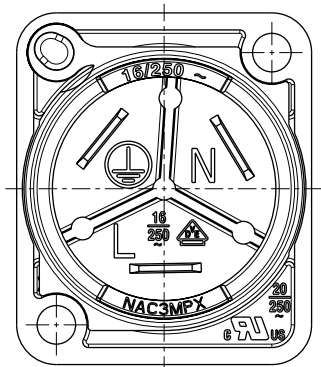
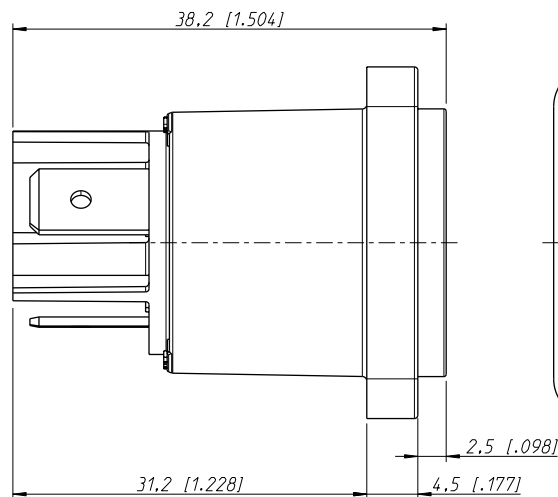
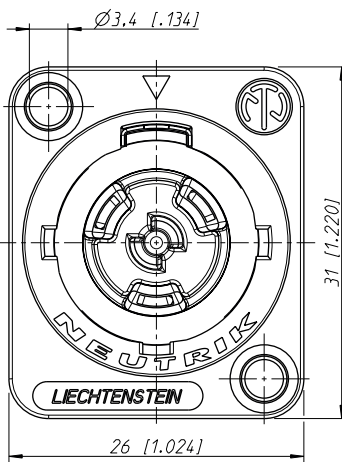




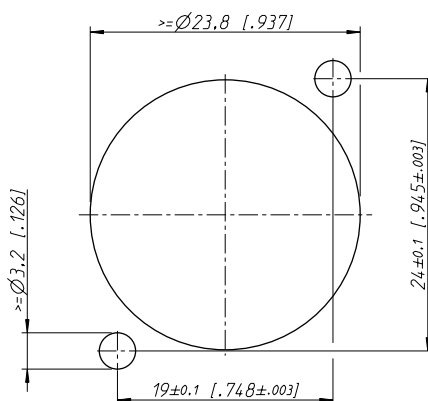
Product Drawing

Neutrik NAC3MPX-TOP powerCON

Technical Drawing



Frontplattenausschnitt Rückseite
panel cutout rearside



APPLIANCE INLET!