



# Assembly Instruction

## Neutrik NAC3MPX-TOP powerCON

### A APPLICATION INSTRUCTION

#### Application:

- The powerCON® TRUE1® system is certified as a connector with breaking capacity according IEC 60320, VDE 0625.
- It is intended for use as an appliance coupler and interconnection coupler.
- It serves to supply power to an appliance and from an appliance to other equipment.
- To be installed by qualified person only.

#### CONNECTOR ASSIGNMENT:

##### APPLIANCE INLET

NAC3MPX-TOP  
NAC3MPX-WOT-TOP

Power IN ▶



NAC3FX-W-TOP  
(Connector)

NAC3MX-W-TOP  
(Plug connector)

##### APPLIANCE OUTLET

NAC3FPX-TOP  
NAC3FPX-WOT-TOP  
NAC3FPX-ST-TOP

Power OUT ◀



NAC3FX-W-TOP  
(Connector)

NAC3MX-W-TOP  
(Plug connector)

##### APPLIANCE INLET / OUTLET

###### ▶ Combination

NAC3PX-TOP

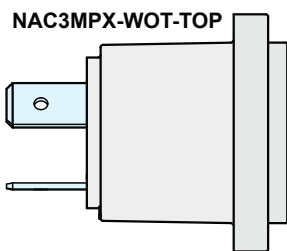
Power IN ▶



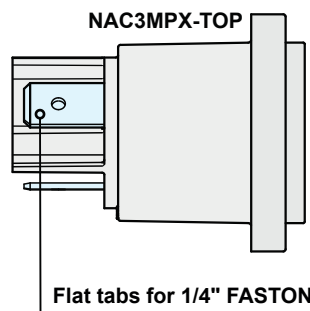
Power OUT ◀

powerCON® TRUE1® TOP line is full backward compatible with the preceding powerCON TRUE1 products.

### B ASSEMBLY INSTRUCTION



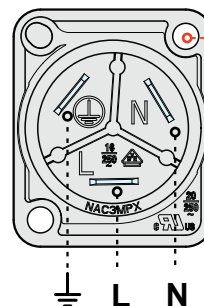
NAC3MPX-WOT-TOP



NAC3MPX-TOP

Flat tabs for 1/4" FASTON®

#### WIRING



Attention:  
Tightening torque  
 $M_A = 40 \text{ Ncm}$ .

#### Panel Cutout (Rear Side)

