



Assembly Instruction

Neutrik NAC3PX-TOP powerCON

A APPLICATION INSTRUCTION

Application:

- The powerCON® TRUE1® system is certified as a connector with breaking capacity according IEC 60320, VDE 0625.
- It is intended for use as an appliance coupler and interconnection coupler.
- It serves to supply power to an appliance and from an appliance to other equipment.
- To be installed by qualified person only.

CONNECTOR ASSIGNMENT:

APPLIANCE INLET

NAC3MPX-TOP
NAC3MPX-WOT-TOP

Power IN ▶



NAC3FX-W-TOP
(Connector)

NAC3MX-W-TOP
(Plug connector)

APPLIANCE OUTLET

NAC3FPX-TOP
NAC3FPX-WOT-TOP
NAC3FPX-ST-TOP

Power OUT ◀



NAC3FX-W-TOP
(Connector)

NAC3MX-W-TOP
(Plug connector)

APPLIANCE INLET / OUTLET

▶ Combination

NAC3PX-TOP

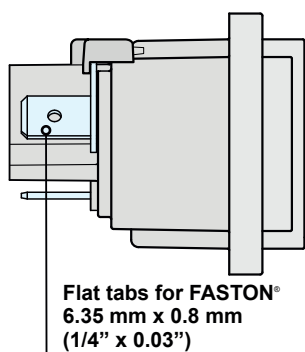
Power IN ▶



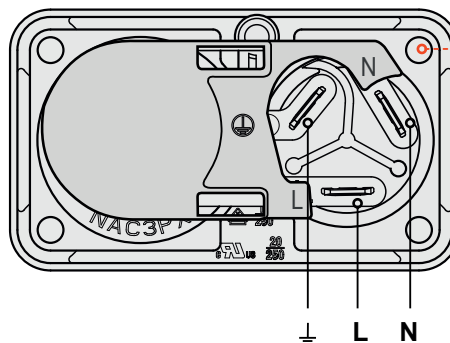
Power OUT ◀

powerCON® TRUE1® TOP line is full backward compatible with the preceding powerCON TRUE1 products.

B ASSEMBLY INSTRUCTION



WIRING



Attention:
Tightening torque
 $M_A = 40 \text{ Ncm}$.

Panel Cutout (Rear Side)

