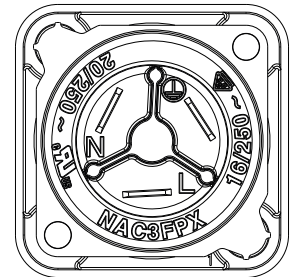
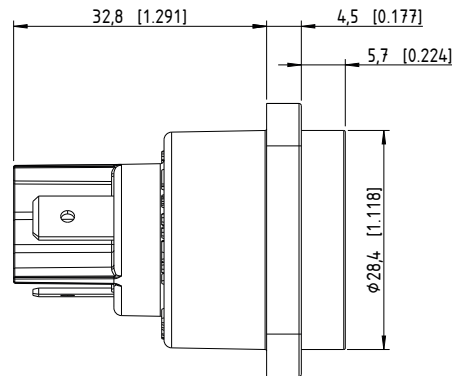
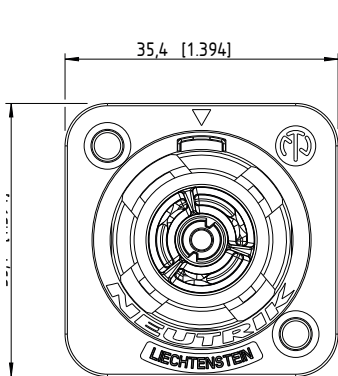




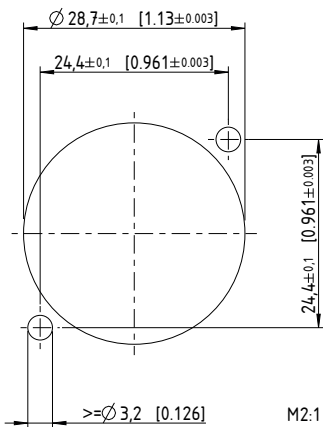
Product Drawing

Neutrik NAC3FPX-TOP powerCON

Technical Drawing



Frontplattenausschnitt Rückseite
panel cutout rearside



APPLIANCE OUTLET!